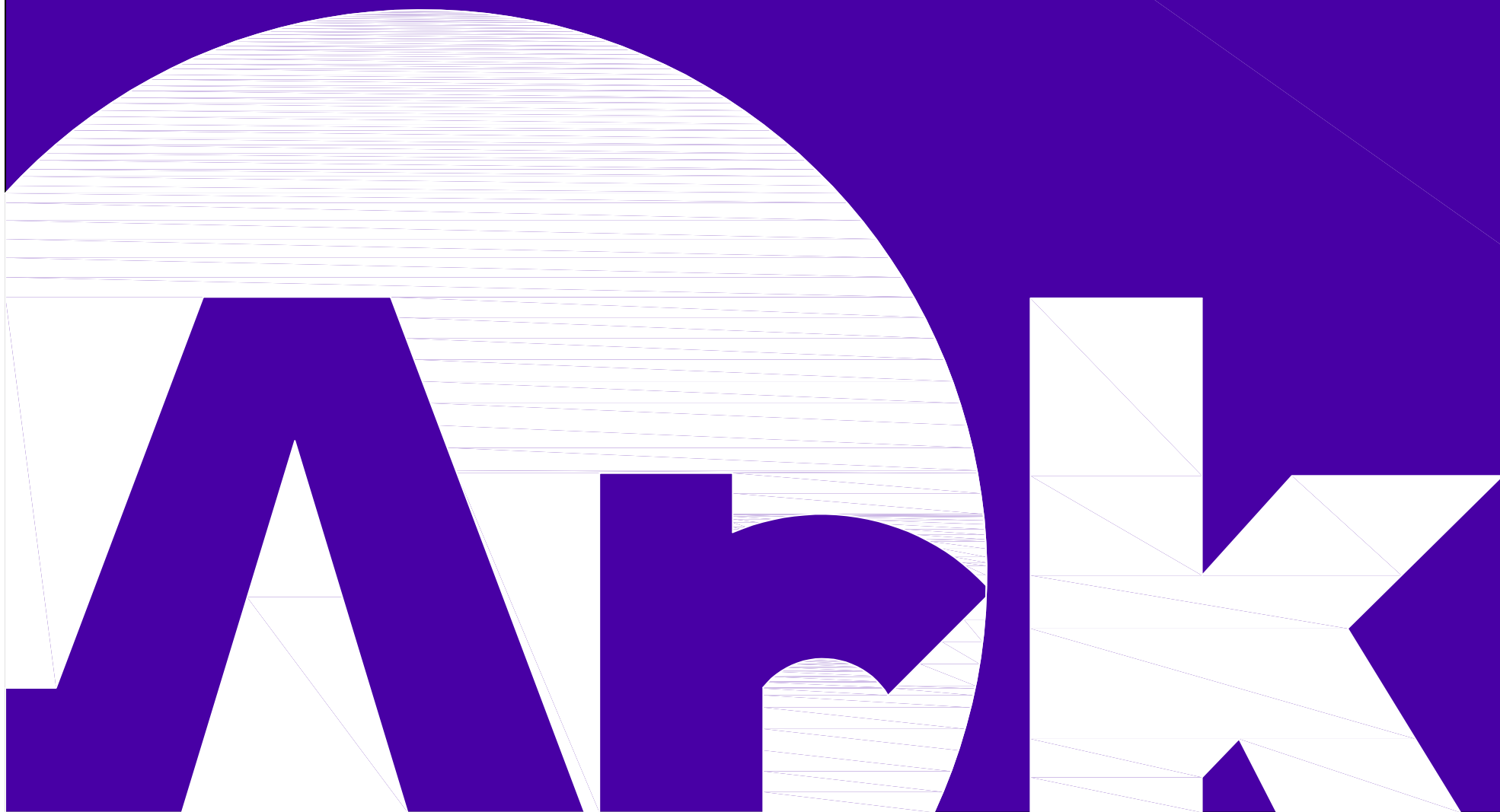


D

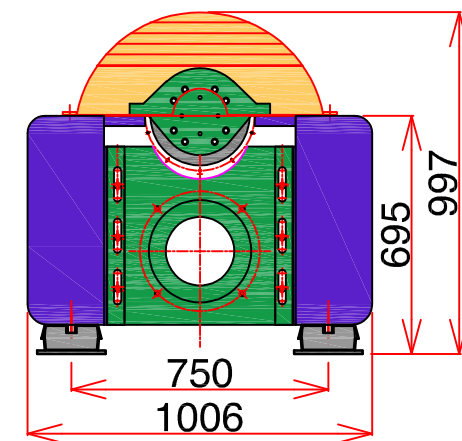
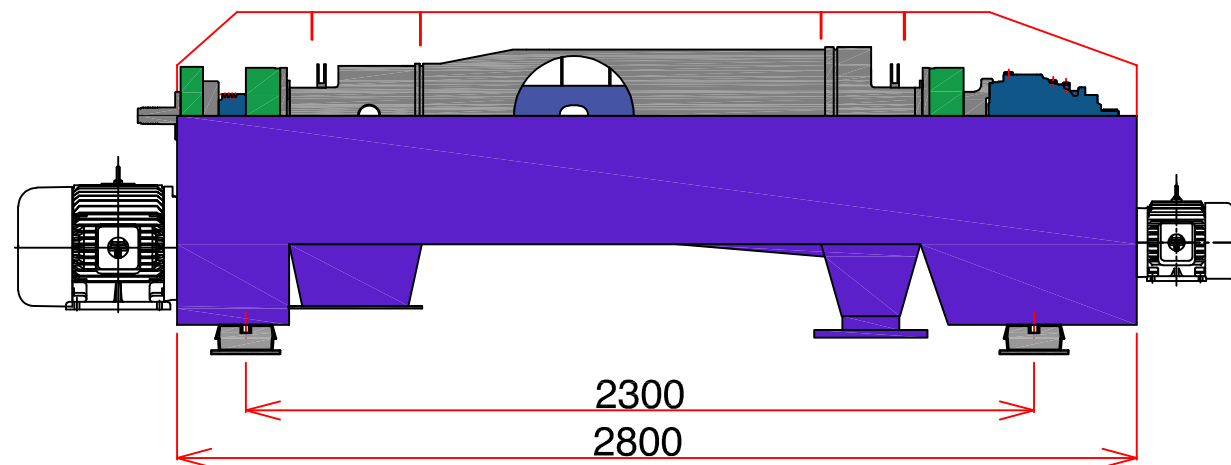
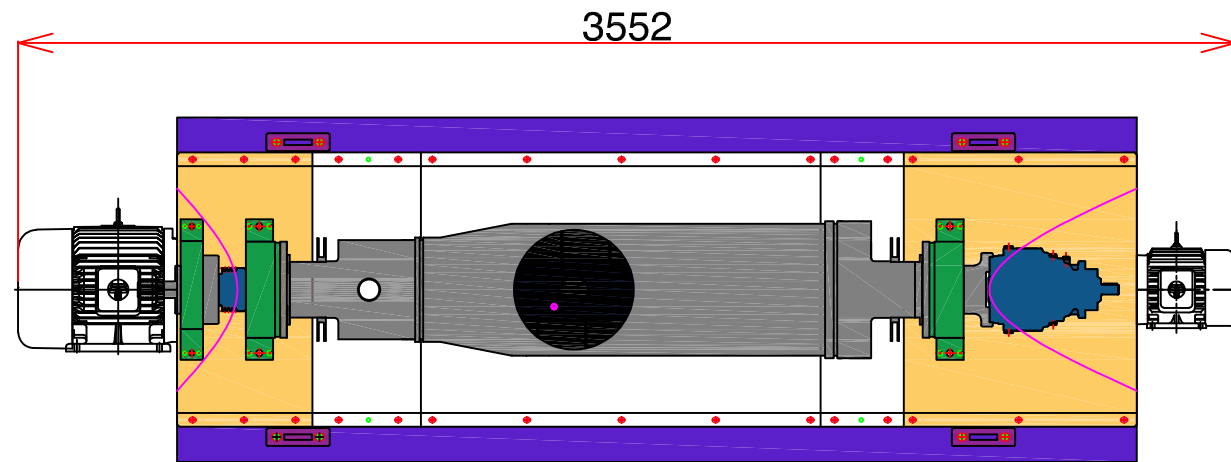
350 TYPE

LAPUTA - *Dolphin*



DECANTER R350

D 350 TYP

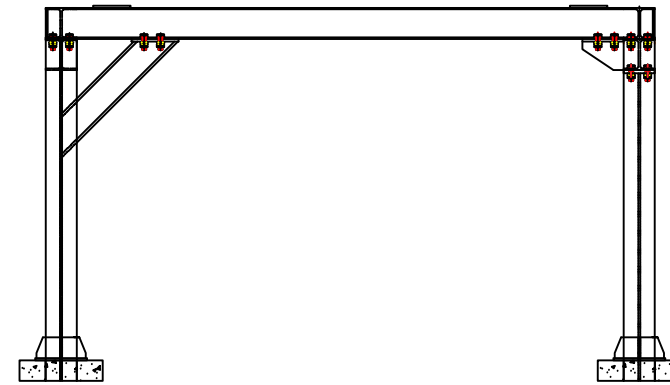
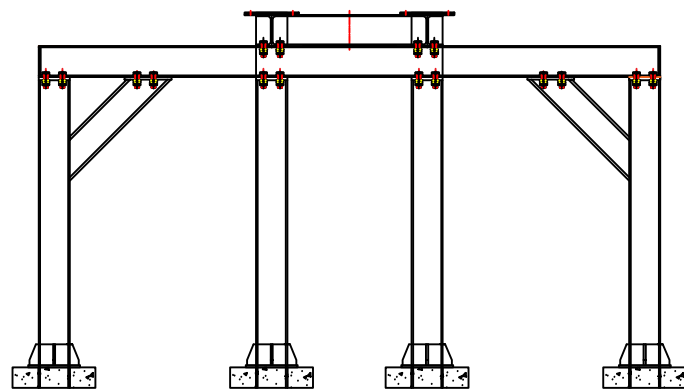
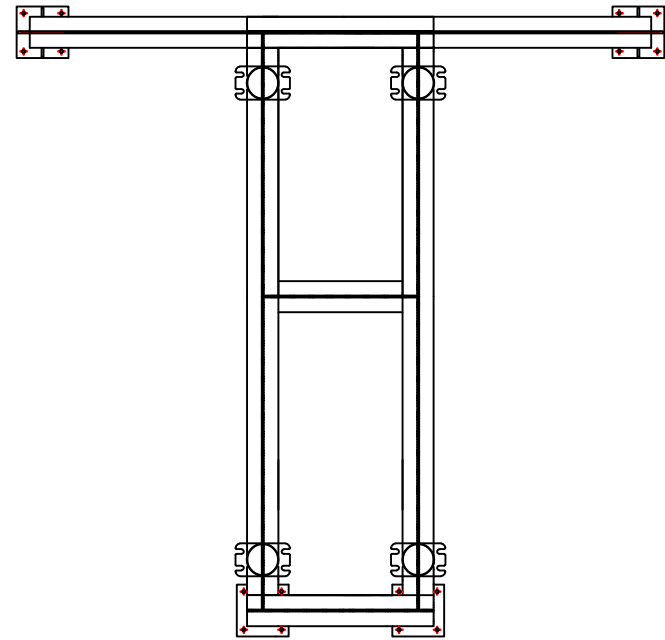


Add: 5th floor, N03-T7 Diplomatic Urban Area, Xuan Tao Ward, Bac Tu Liem Dist., Hanoi.
 Tell: 0962420519

Designe By:	Drawing By:	Checker By:	None	
Project:		Title:		Sheet:
Decanter-350		Decanter-350		Drawing No:

DECANTER R350

D 350 TYP

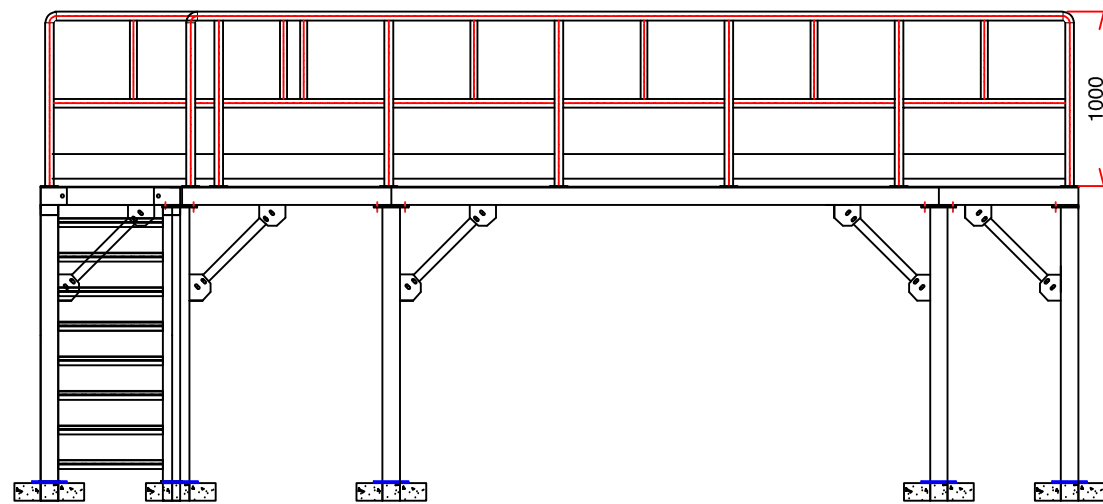
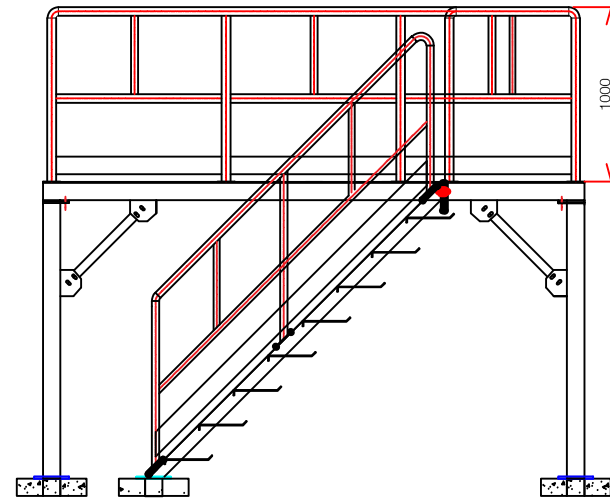
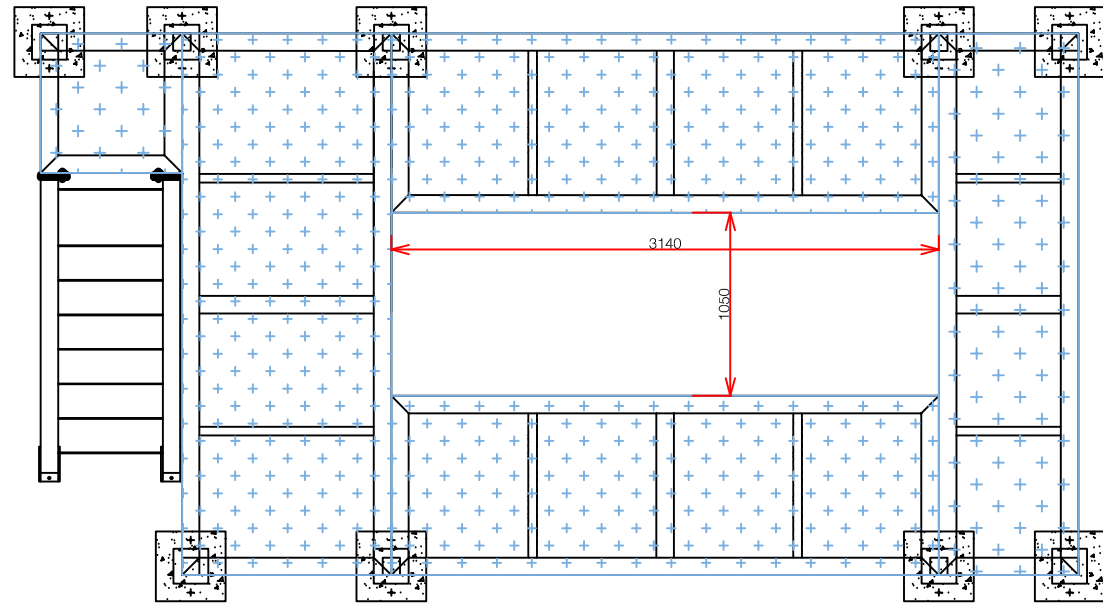


Add: 5th floor, N03-T7 Diplomatic
Urban Area, Xuan Tao Ward, Bac Tu
Liem Dist., Hanoi.
Tell: 0962420519

Design By:	Drawing By:	Checker By:	None	
Project:		Title:		Sheet:
Decanter-350		Decanter-350		Drawing No:

DECANTER R350

D 350 TYP

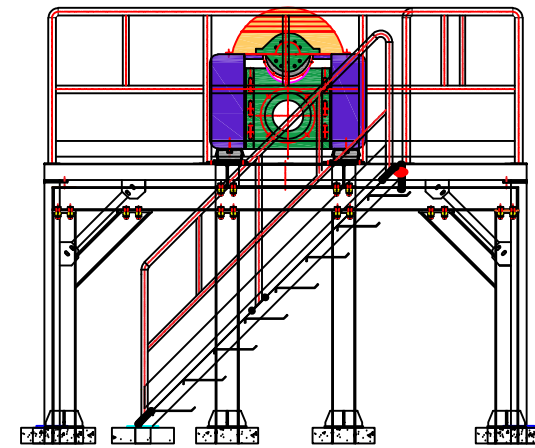
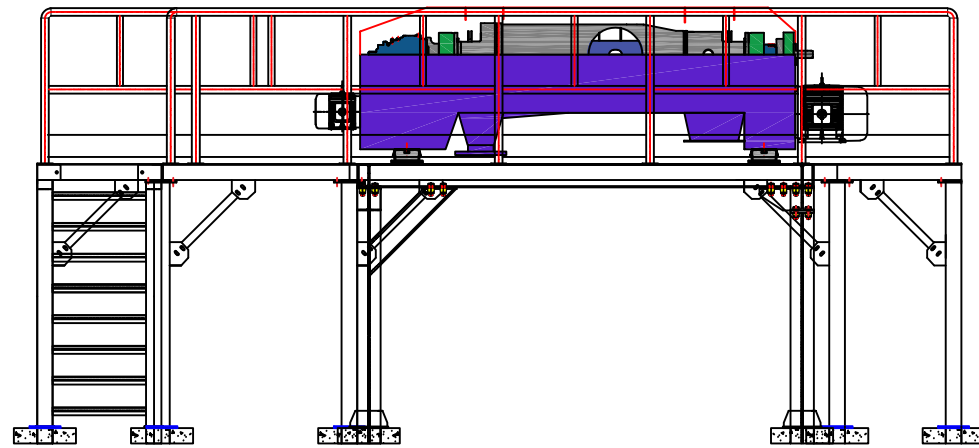
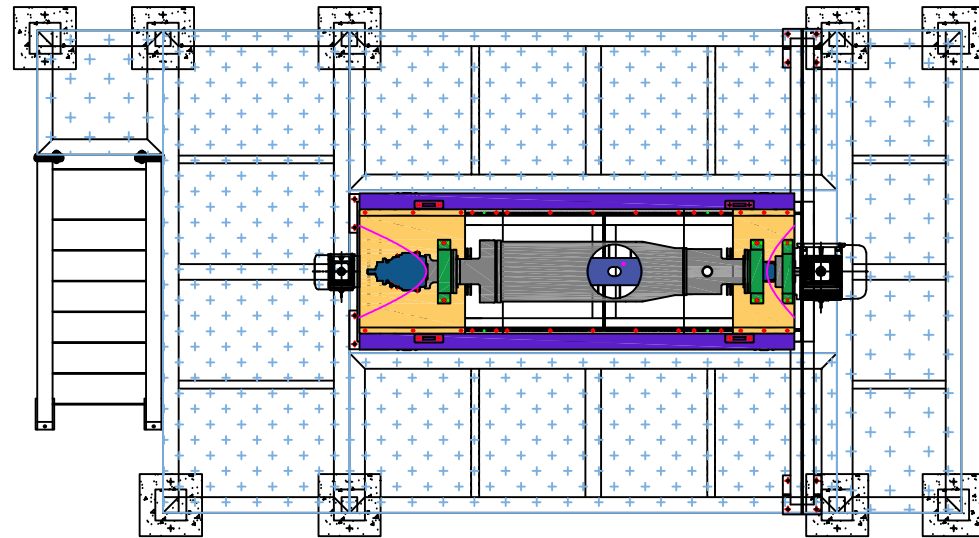


Add: 5th floor, N03-T7 Diplomatic
Urban Area, Xuan Tao Ward, Bac Tu
Liem Dist., Hanoi.
Tell: 0962420519

Design By:	Drawing By:	Checker By:	None	
Project:		Title:		Sheet:
Decanter-350		Decanter-350		Drawing No:

DECANTER R350

D 350 TYP



Add: 5th floor, N03-T7 Diplomatic
Urban Area, Xuan Tao Ward, Bac Tu
Liem Dist., Hanoi.
Tell: 0962420519

Design By:	Drawing By:	Checker By:	None	
Project:		Title:		Sheet:
Decanter-350		Decanter-350		Drawing No: