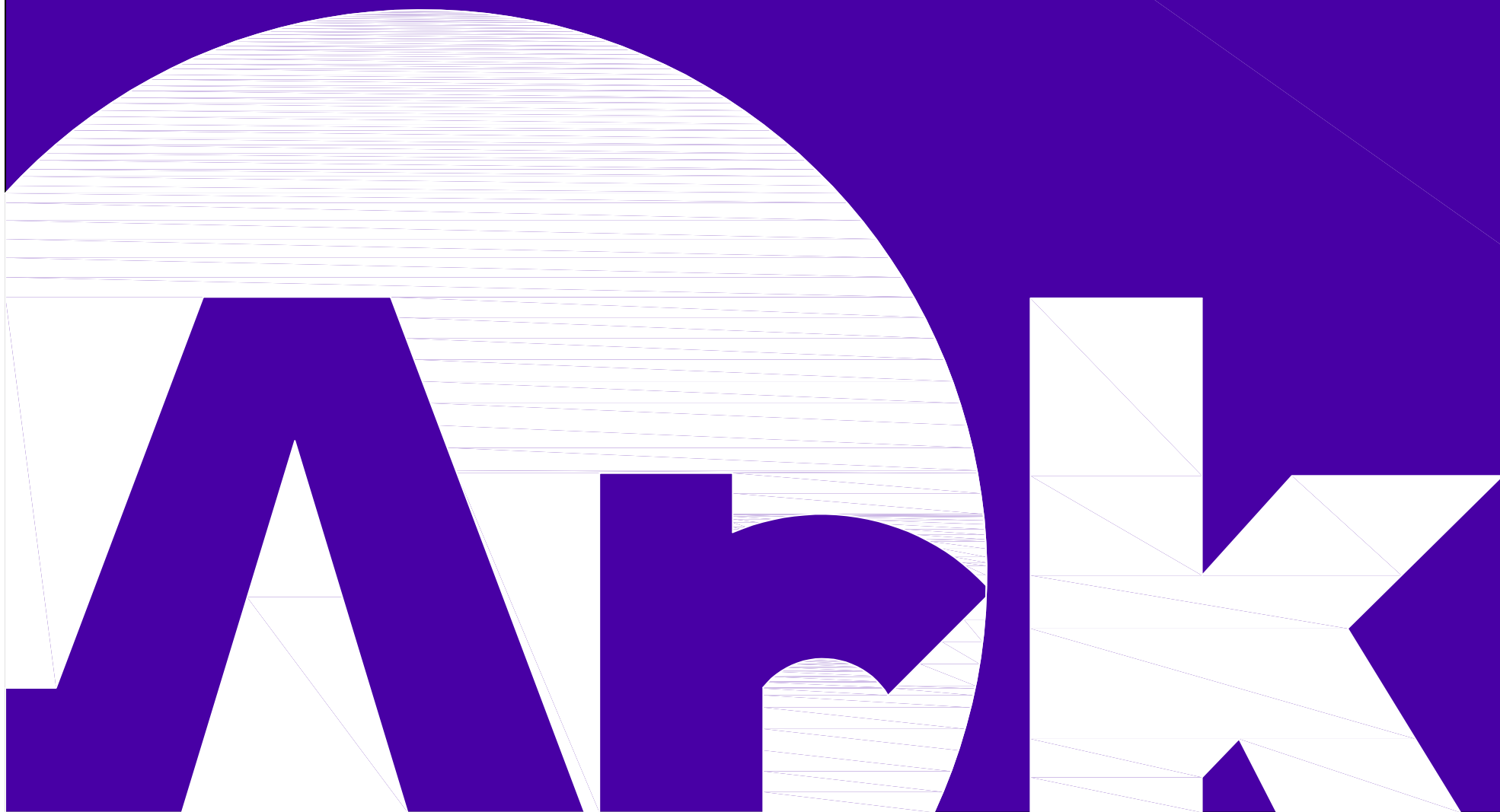


**D**

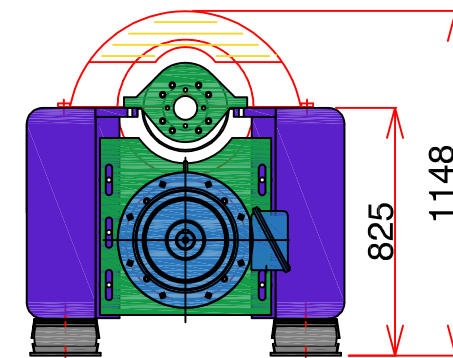
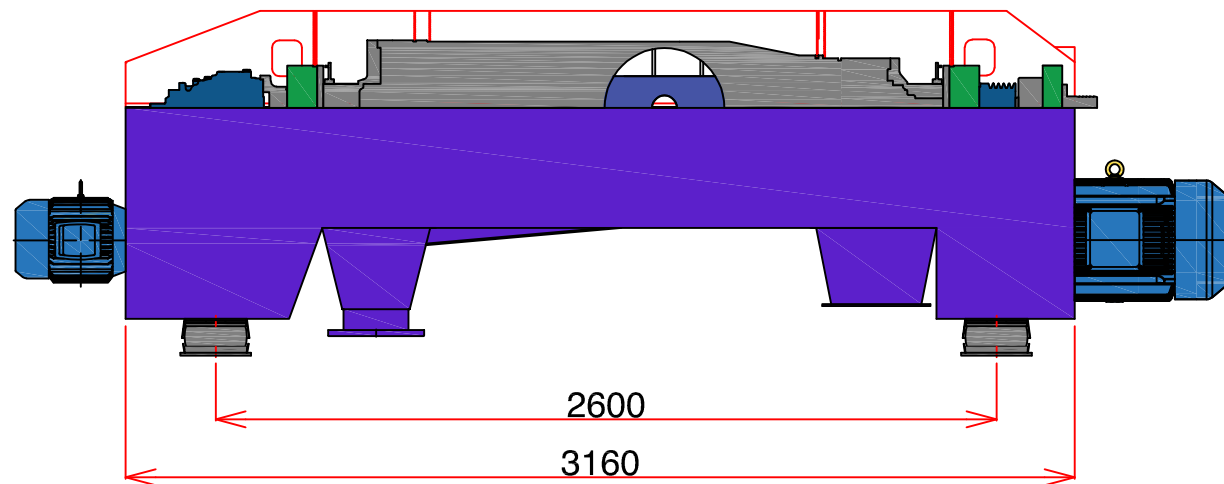
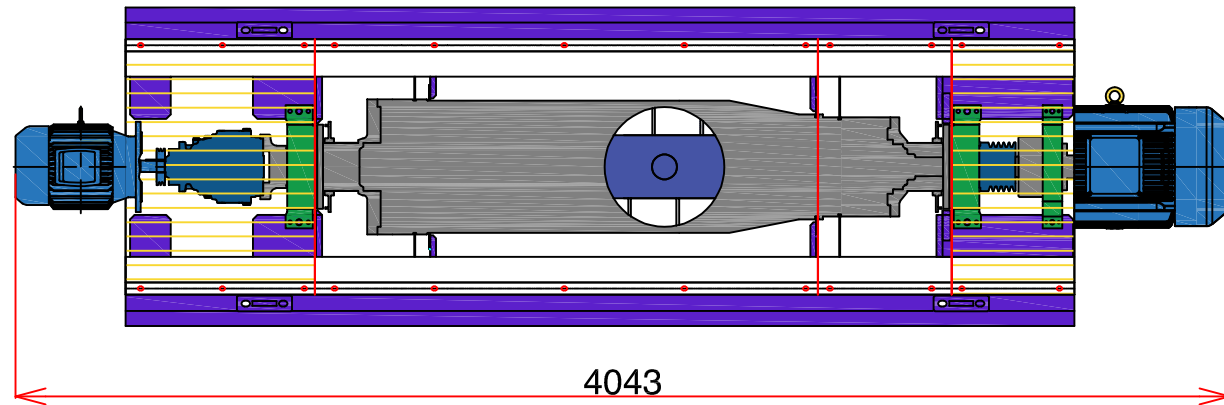
**400 TYPE**

**LAPUTA - *Dolphin***



# DECANTER R400

**D 400 TYPE**

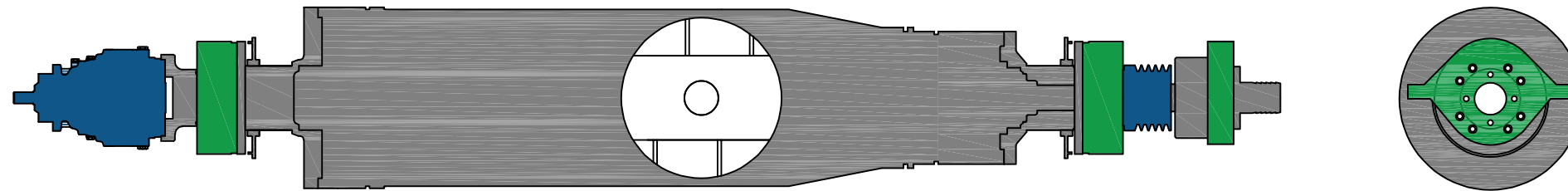
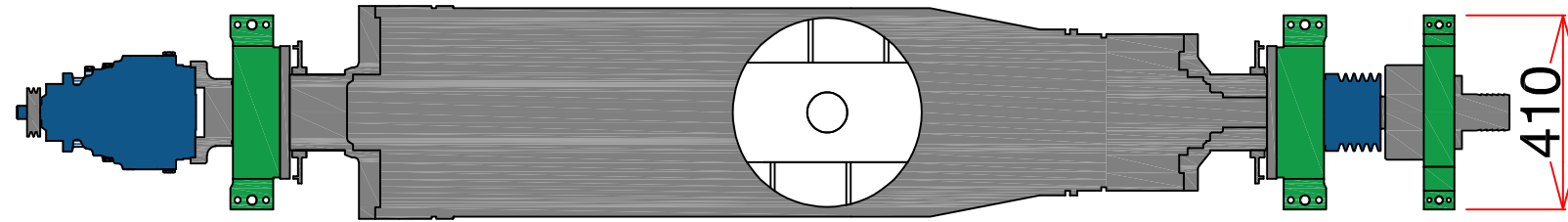


Add: 5th floor, N03-T7 Diplomatic  
Urban Area, Xuan Tao Ward, Bac Tu  
Liem Dist., Hanoi.  
Tell: 0962420519

Designe By:	Drawing By:	Checker By:	None	
Project: Decanter-400		Title: Decanter-400		Sheet:
				Drawing No:

# DECANTER R400

**D 400 TYPE**

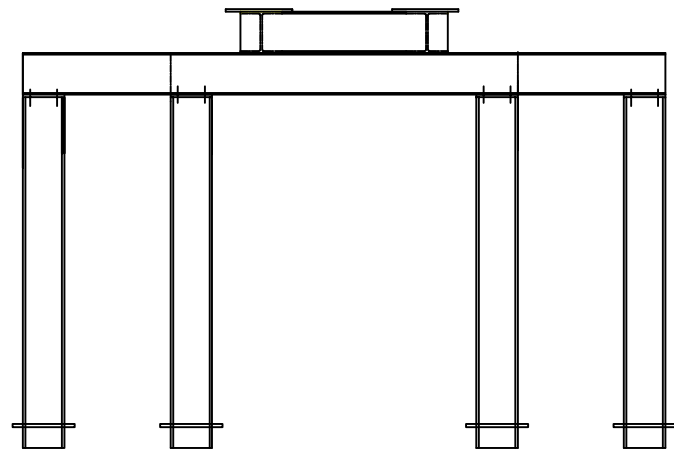
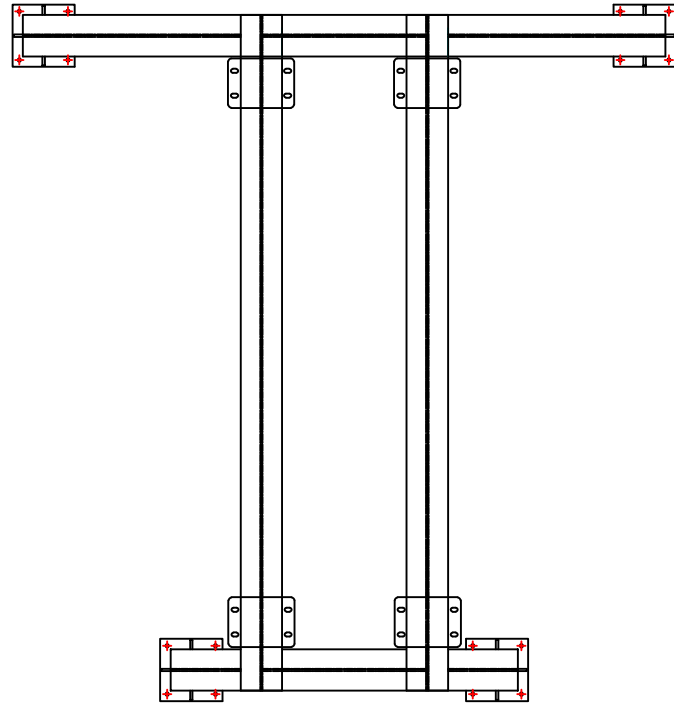


Add: 5th floor, N03-T7 Diplomatic  
Urban Area, Xuan Tao Ward, Bac Tu  
Liem Dist., Hanoi.  
Tell: 0962420519

Design By:	Drawing By:	Checker By:	None	
Project: Decanter-400		Title: Decanter-400		Sheet:
				Drawing No:

# DECANTER R400

D 400 TYPE

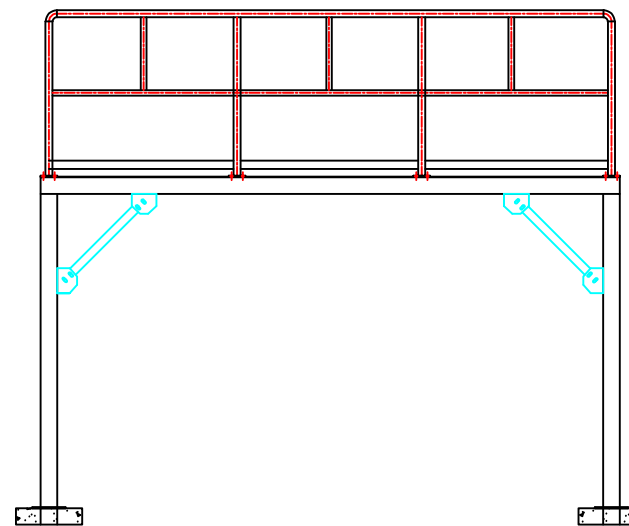
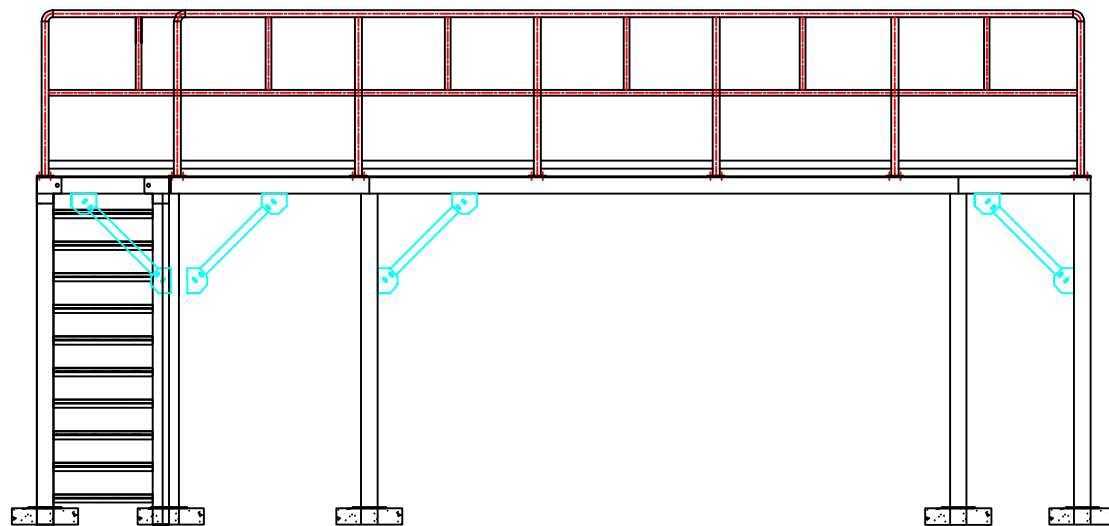
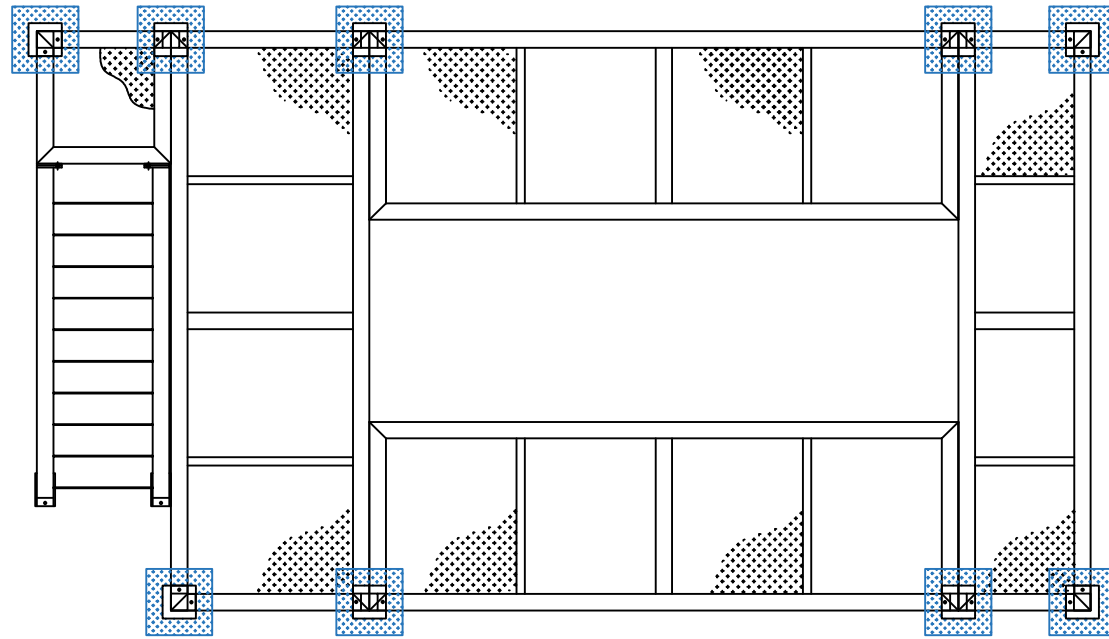


Add: 5th floor, N03-T7 Diplomatic  
Urban Area, Xuan Tao Ward, Bac Tu  
Liem Dist., Hanoi.  
Tell: 0962420519

Design By:	Drawing By:	Checker By:	None	
Project: Decanter-400		Title: Decanter-400		Sheet:
				Drawing No:

# DECANTER R400

**D 400 TYPE**

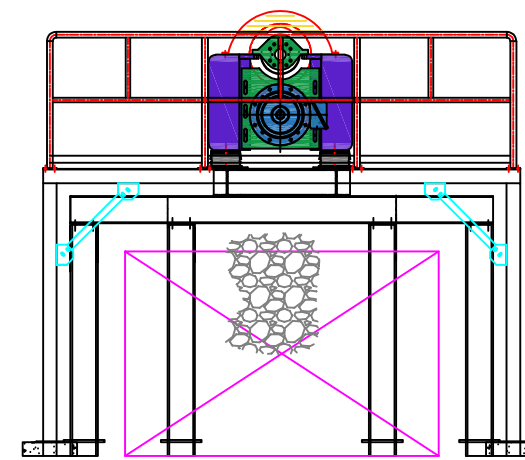
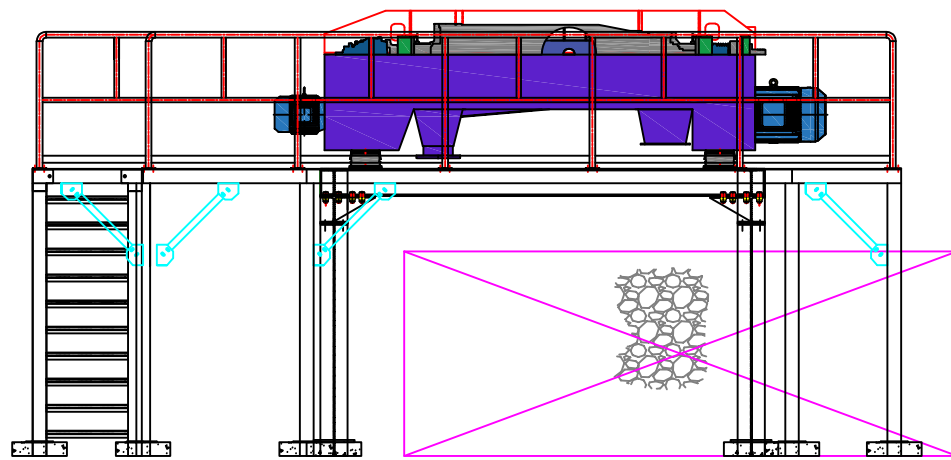
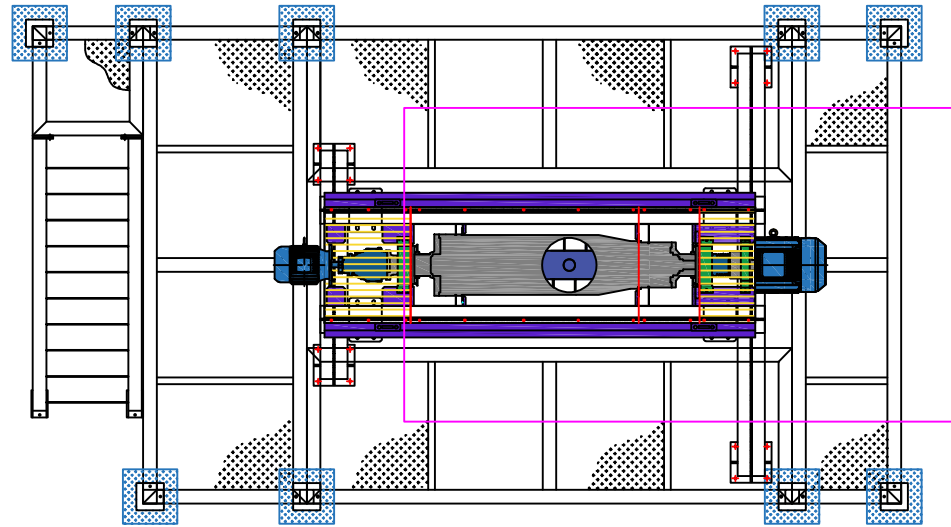


Add: 5th floor, N03-T7 Diplomatic  
Urban Area, Xuan Tao Ward, Bac Tu  
Liem Dist., Hanoi.  
Tell: 0962420519

Design By:	Drawing By:	Checker By:	None	
Project:		Title:		Sheet:
Decanter-400		Decanter-400		Drawing No:

# DECANTER R400

**D 400 TYPE**



Add: 5th floor, N03-T7 Diplomatic  
Urban Area, Xuan Tao Ward, Bac Tu  
Liem Dist., Hanoi.  
Tell: 0962420519

Design By:	Drawing By:	Checker By:	None	
Project:		Title:		Sheet:
Decanter-400		Decanter-400		Drawing No: